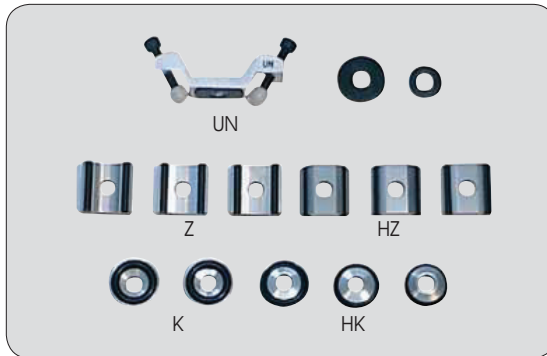


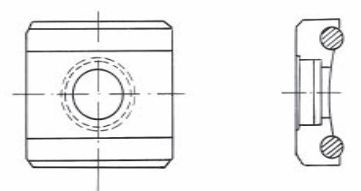
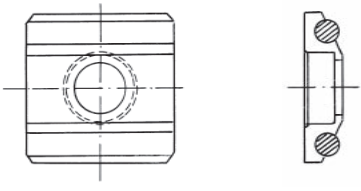
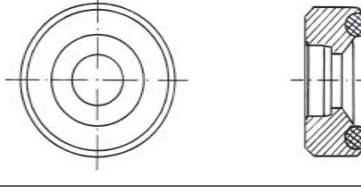
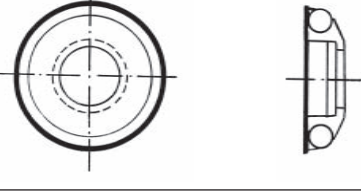
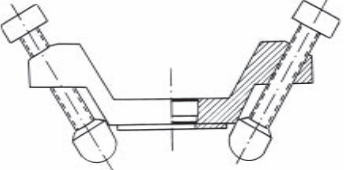
Optional Support Rings

Function: they are used for tested surface whose curvature radius is less than 30mm (D, DC, D+15, C impact devices) or less than 50mm (G impact device).



Support Rings



No.	Type	Sketch of non-conventional supporting ring	Remarks
1	Z10-15		For testing cylindrical outside surface R10~R15
2	Z14.5-30		For testing cylindrical outside surface R14.5~R30
3	Z25-50		For testing cylindrical outside surface R25~R50
4	HZ11-13		For testing cylindrical inside surface R11~R13
5	HZ12.5-17		For testing cylindrical inside surface R12.5~R17
6	HZ16.5-30		For testing cylindrical inside surface R16.5~R30
7	K10-15		For testing spherical outside surface SR10~SR15
8	K14.5-30		For testing spherical outside surface SR14.5~SR30
9	HK11-13		For testing spherical inside surface SR11~SR13
10	HK12.5-17		For testing spherical inside surface SR12.5~SR17
11	HK16.5-30		For testing spherical inside surface SR16.5~SR30
12	UN		For testing cylindrical outside surface, radius adjustable R10~∞